

Helix Antenna HX-CH6017A

Harxon Patented D-QHA^① Technology Inside

Harxon
a *BDStar* company

BUILT-IN ANTENNA WITH INNOVATIVE D-QHA TECHNOLOGY FOR UAV



ADVANCED D-QHA TECHNOLOGY

Harxon's D-QHA technology ensures HX-CH6017A more stable performance of wide-angle circular polarization (WACP), and smaller antenna phase center deviation (PCV), which ensures a more precise positioning accuracy.

TRACKING IN CHALLENGING ENVIRONMENTS

HX-CH6017A is able to track visible satellites under challenging conditions, providing the positioning solutions with high precision and reliable data. Its stable phase center guarantees the accuracy of positioning within millimeter level, that can be widely used in plant protection, tree lines, also for UAV power patrol, GIS surveying where high precision operations are needed.

STRONG ANTI-INTERFERENCE PERFORMANCE

The antenna LNA features excellent out-of-band rejection performance, which can suppress the electromagnetic interference, providing the stability and reliability of GNSS signals. Also it effectively avoids disconnection danger when UAVs are operated under tower and electric power patrol.

SMALL SIZE AND LIGHT WEIGHT

The 7-gram light weight and small size HX-CH6017A antenna can largely lighten the loads of UAVs. The embedded RTK antenna design reduces the entire weight of UAV and consequently improves the performance, such as waterproof, shock impact and installation.

KEY FEATURES

- Support GPS, Glonass, Galileo, Beidou, QZSS and SBAS signal reception
- Stable phase center guarantees the accuracy of positioning within millimeter level
- Strong anti-interference ability to endure the harsh operating environments
- 7g light weight for lower power consumption
- Built-in RTK antenna to improve UAV performance
- Can be customized

Helix Antenna HX-CH6017A

Harxon Patented D-QHA Technology Inside

PERFORMANCE

Signal Received

GPS	L1/L2
GLONASS	L1/L2
GALILEO	E1
BDS	B1, B2
QZSS	L1/L2
SBAS	L1

Nominal Impedance 50Ω

Polarization RHCP

Axial Ratio ≤3dB

Gain at Zenith (90°)

1217-1257MHz	2dBi(maximum)
1559-1610MHz	2.5dBi(maximum)

LNA Gain 33dB(typical)

Noise Figure ≤1.5dB

Output/Input VSWR ≤2.0

Operation Voltage +3.3 to +12VDC

Operation Current 55mA(maximum)

Group Delay Ripple <15ns

MECHANICAL

Dimensions φ23.8*46.8mm

Connector IPEX

Weight ≤7g

Mounting customers design own installation

ENVIRONMENTAL

Temperature

Operating -40°C to +70°C

Storage -40°C to +70°C

Humidity 95% non-condensing

For the most recent details of this product:

<http://en.harxon.com/products-detail.php?Prolid=154>

en.harxon.com

sales@harxon.com

9/F, Block B, Building D3, TCL International

E City, NO.1001 Zhongshanyuan Road,

Nanshan District, Shenzhen, China

Tel: +86-755-26989948

Fax: +86-755-26989994

Version 2 Specifications subject to change without notice.

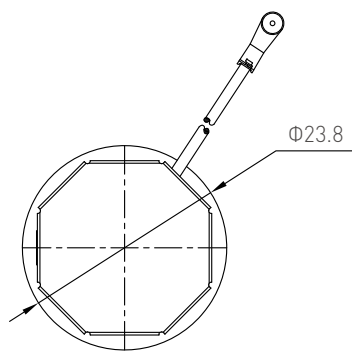
©2020 Harxon Corporation. All rights reserved.

Printed in China

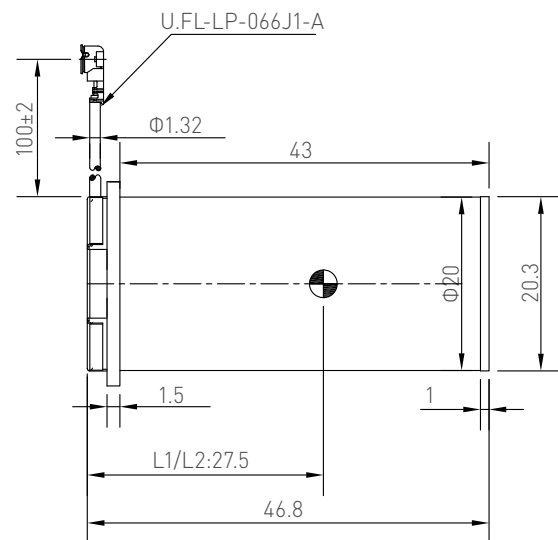
December 2019

1.D-QHA: Dual Quadrifilar Helix Antenna

Structure& Phase Center Drawing (mm)



TOP VIEW



SIDE VIEW

Undeclared tolerance:±0.3mm